

E-POINT BENCH 4M3S



Electrical height adjustable double desk frame for bench situations

- ✓ 4 Motors / 3 segments
- ✓ 3 Memory keys / Anti collision function
- ✓ Versatile expandable



Details

Frame

Anti-Collision
 Load capacity: bis 150 kg
 Speed: 30 mm/s
 Sound level: <50 dB
 Stroke: 600-1250 mm
 Frame width: 1010-1750 mm
 Frame depth: 1200-1628 mm
 Table-top size min.: 600x1050 mm
 Table-top size max.: 1000x2000 mm

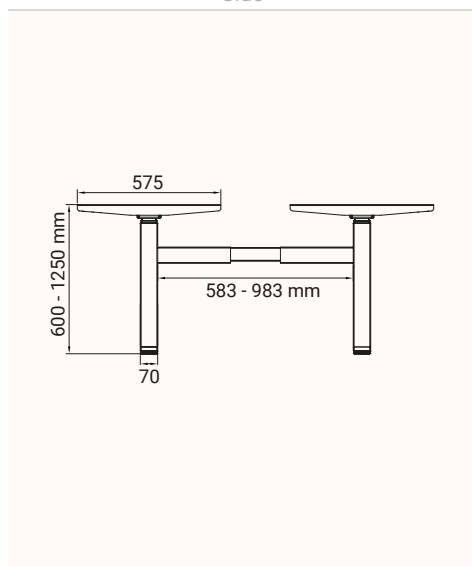
Handset

Duty cycle: 10 % max. 2 min on, 18 min off
 Low energy consumption: automatic power off
 Display: digital
 Memory keys: 3
 Child lock
 Anti-Collision
 Sedentary reminder



Technical Drawings

Side



Installation min/max

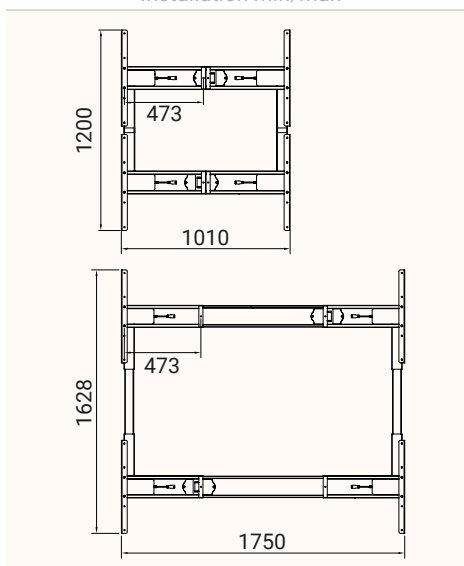
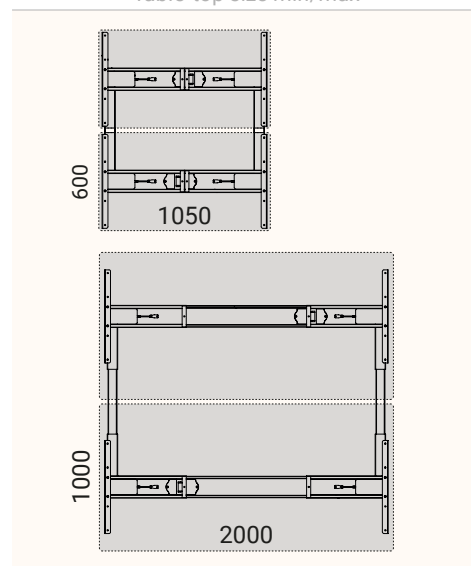


Table-top size min/max



Article	Description	Colour	Item No.
E-BENCH 4M3S	Electrical height adjustable desk frame, 4 motors, 3-segments	Silver	301 130212
E-BENCH 4M3S	Electrical height adjustable desk frame, 4 motors, 3-segments	White	301 130219
E-BENCH 4M3S	Electrical height adjustable desk frame, 4 motors, 3-segments	Black	301 130205
E-POINT Plus L	Optional accessories available	Silver	302 129148
E-POINT Plus L	Optional accessories available	White	302 129155
E-POINT Plus L	Optional accessories available	Black	302 129162

