

E-SOLID 300 / 450

Electric height adjustable heavy duty desk frame

- ✓ Available as 300 kg or 450 kg version
- ✓ 4 Motors / 2-segments
- ✓ 3 Memory keys
- ✓ Anti collision function



Details

Frame

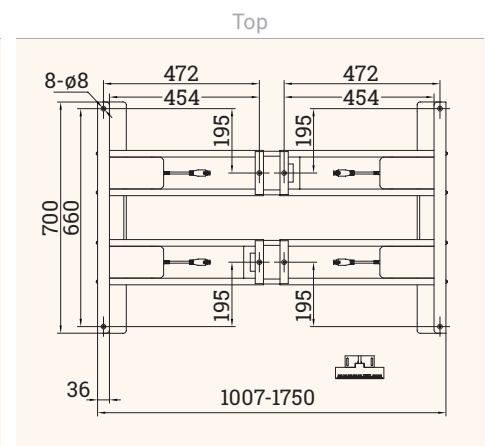
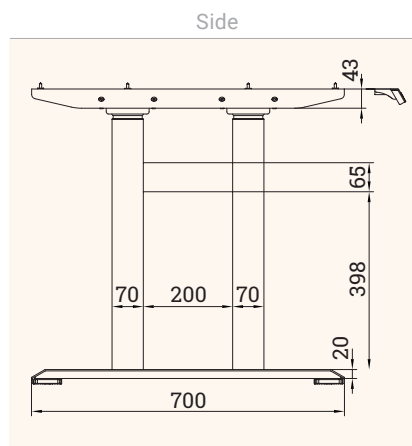
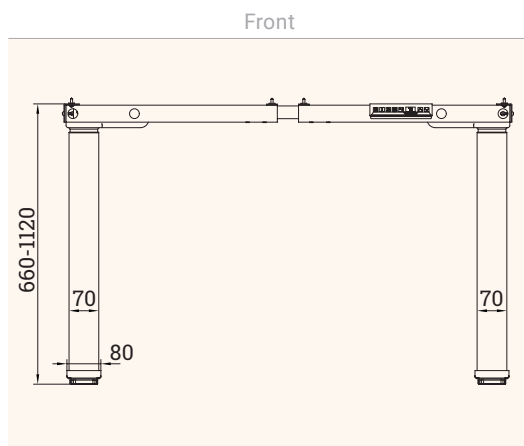
Anti-Collision
 Load capacity: 300 kg /450 kg
 Stroke: 660-1120 mm
 Frame width: 1007-1750 mm
 Table-top size min.: 700x1050 mm
 Table-top size max.: 1000x2000 mm

Handset

Duty cycle: 10 % max. 2 min on, 18 min off
 Low energy consumption: automatic power off
 Display: digital
 Memory keys: 3
 Child lock
 Anti-Collision
 Sedentary reminder



Technical Drawings



Article	Description	Colour	Item No.
E-SOLID 300		Traffic black, RAL 9017	301 129316
E-SOLID 300	Electric height adjustable desk, 660-1115 mm, 4 motors, 2 segments, handset with LED, 3 memory settings, loading capacity: 300 kg	White aluminium, RAL 9006	301 129323
E-SOLID 300		Pure white, RAL 9010	301 129330
E-SOLID 300		Anthracite RAL 7016	301 130282
E-SOLID 450		Traffic black, RAL 9017	301 130149
E-SOLID 450	Electric height adjustable desk, 660-1115 mm, 4 motors, 2 segments, handset with LED, 3 memory settings, loading capacity: 450 kg	White aluminium, RAL 9006	301 130156
E-SOLID 450		Pure white, RAL 9010	301 130163