

# E-POINT 4M3S

Electrical height adjustable double desk frame and other large tabletops

- ✓ 4 Motors / 3-segments
- ✓ 3 Memory keys / Anti collision function
- ✓ Versatile expandable



Details

## Frame

Anti-Collision  
 Load capacity: to 150 kg  
 Static load: to 180 kg  
 Speed: 30 mm/s  
 Sound level: <50 dB  
 Stroke: 600-1250 mm  
 Frame width: 1100-1800 mm  
 Table-top size min.: 800x1050 mm  
 Table-top size max.: 2000x2000 mm

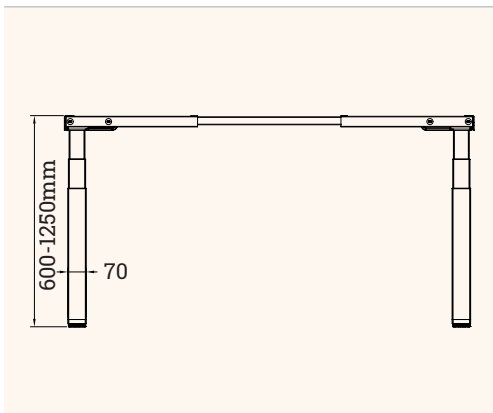
## Handset

Duty cycle: 10 % max. 2 min on, 18 min off  
 Low energy consumption: automatic power off  
 Display: digital  
 Memory keys: 3  
 Child lock  
 Anti-Collision  
 Sedentary reminder

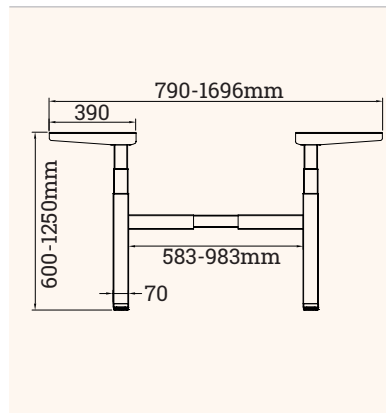


## Technical Drawings

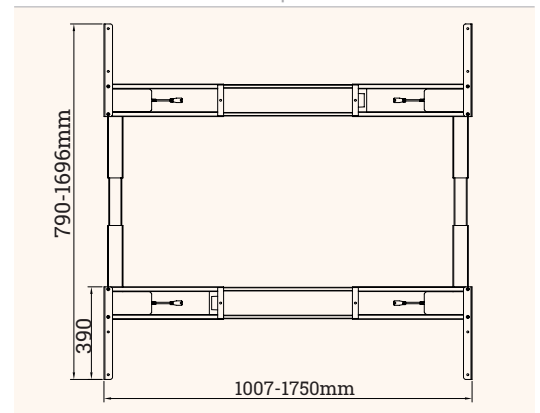
Front



Side



Top



**E-POINT Plus S N**



**E-POINT Plus L N**



**E-POINT Plus T N**

Article	Description	Colour	Item No.
E-POINT 4M3S	electric height adjustable desk frame, 4 Motors, 3-segments	White aluminium, RAL 9006	301 129071
E-POINT 4M3S	electric height adjustable desk frame, 4 Motors, 3-segments	Pure white, RAL 9010	301 129127
E-POINT 4M3S	electric height adjustable desk frame, 4 Motors, 3-segments	Traffic black, RAL 9017	301 129099
E-POINT 4M3S	Optional accessories available		

# E-POINT Plus

Modification kits for E-POINT table frames



## E-POINT Plus S N

Table Top Support Bracket Set



## E-POINT Plus L N

Beam extension



## E-POINT Plus T N

Beam extension



Article	Description	Colour	Item No.
E-POINT Plus S N	Conversion Kit for larger table tops and E-Bench, compatible with E-POINT	White aluminium, RAL 9006	302 129302
		Pure white, RAL 9010	302 129309
		Traffic black, RAL 9017	302 129295
E-POINT Plus L N	Beam extension for table top depths from 1800 - 2400 mm, Beam conversion Set for an extended centre beam, consisting of 4 long beams 1750*100*55 mm, compatible with E-POINT	White aluminium, RAL 9006	302 129148
		Pure white, RAL 9010	302 129155
		Traffic black, RAL 9017	302 129162
E-POINT Plus T N	Beam extension for table top depths from 1200-2000 mm Beam conversion set for an extended lifting column, consisting of 2 long beams 1050x150x90 mm, compatible with E-POINT	White aluminium, RAL 9006	302 129169
		Pure white, RAL 9010	302 129176
		Traffic black, RAL 9017	302 129183