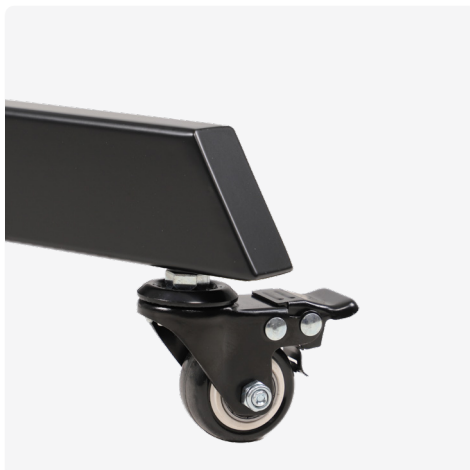


E-MONO 1M3S

Electric height adjustable single column table frame



- ✓ Movable
- ✓ Battery Pack available on demand
- ✓ 3-part lifting column
- ✓ 3 memory keys
- ✓ Anti collision function



Details

Frame

Anti-Collision
 Load capacity : to 80 kg
 Speed: 30 mm/s
 Stroke: 670-1320 mm
 Frame width: 1100-1800 mm
 Table-top size min.: 400x400 mm
 Table-top size max.: 600x1000 mm

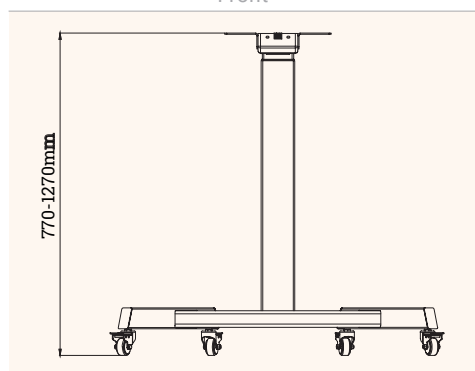
Handset

Duty cycle: 10 % max. 2 min on, 18 min off
 Low energy consumption: automatic power off
 Display: digital
 Memory keys: 3
 Child lock
 Anti-Collision
 Sedentary reminder

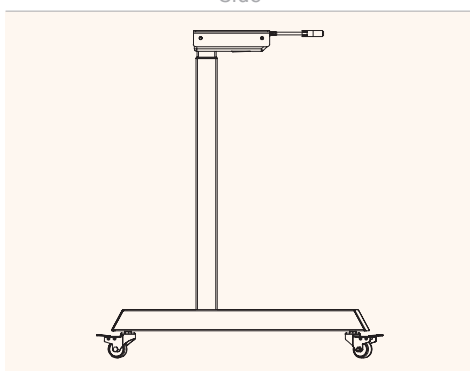


Technical Drawings

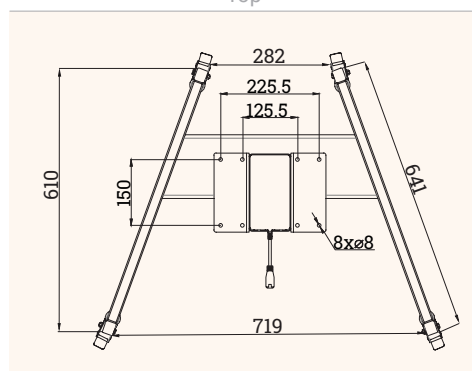
Front



Side



Top



Article	Description	Colour	Item No.
E-MONO 1M3S	Electric height adjustable single column table frame, 1 Motor, 3-segments	White aluminium, RAL 9006	301 123849
E-MONO 1M3S	Electric height adjustable single column table frame, 1 Motor, 3-segments	Pure white, RAL 9010	301 124115
E-MONO 1M3S	Electric height adjustable single column table frame, 1 Motor, 3-segments	Traffic black, RAL 9017	301 124108
E-MONO Plus ACCU	Optional accessories: Battery pack for E-MONO	Black	301 123863

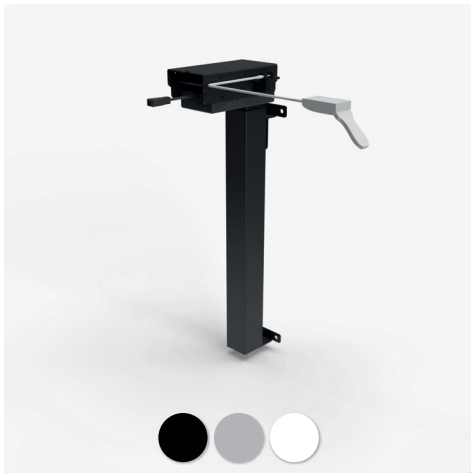


E-MURO 1M2S

Electric height adjustable single column folding desk frame wall mounted



- ✓ Wall mounted and foldable
- ✓ 1 Motor / 2-segments
- ✓ 3 memory keys
- ✓ Anti collision function



Details

Frame

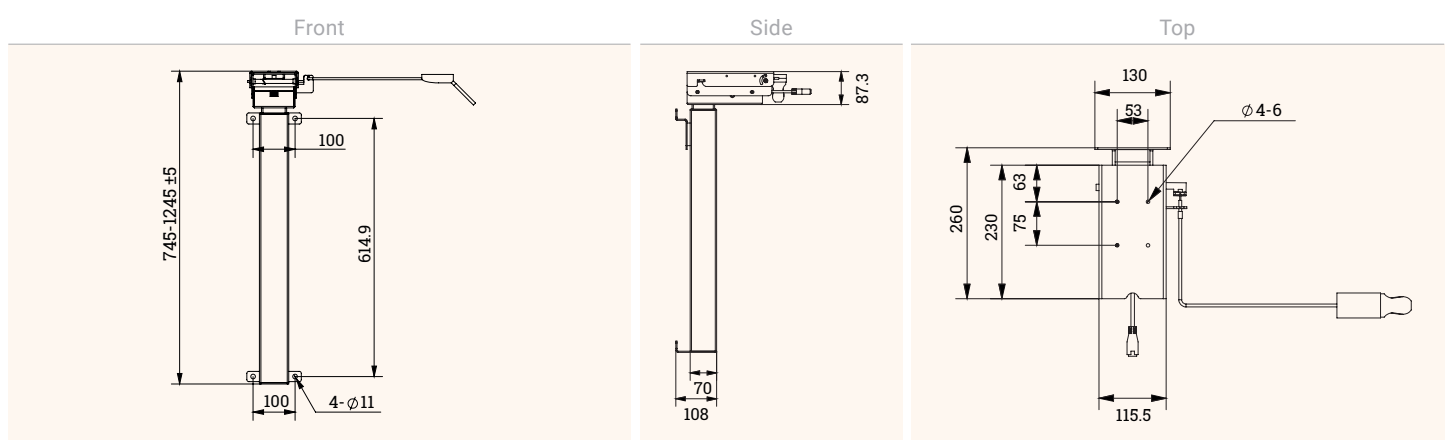
Anti-Collision
 Load capacity: to 80 kg
 Speed: 20 mm/s
 Stroke: 745-1245 mm
 Table-top size min.: 400x400 mm
 Table-top size max.: 600x1000 mm

Handset

Duty cycle: 10 % max. 2 min on, 18 min off
 Low energy consumption: automatic power off
 Display: digital
 Memory keys: 3
 Child lock
 Anti-Collision
 Sedentary reminder



Technical Drawings



Article	Description	Colour	Item No.
E-MURO 1M2S	Electric height adjustable single column folding desk frame, 1 Motor, 2-segments	White aluminium, RAL 9006	301 129050
E-MURO 1M2S	Electric height adjustable single column folding desk frame, 1 Motor, 2-segments	Pure white, RAL 9010	301 129057
E-MURO 1M2S	Electric height adjustable single column folding desk frame, 1 Motor, 2-segments	Traffic black, RAL 9017	301 129043