

ROTOR THA

Lever lock for locking with padlocks

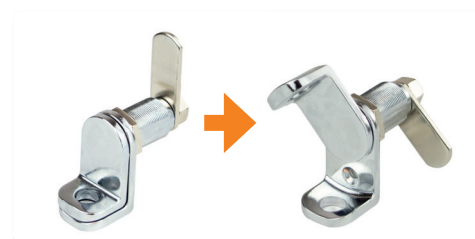


- ✓ Material thickness up to 22 mm
- ✓ Drilling hole Ø19 mm (wooden doors), punching 16x19 mm (metal doors)
- ✓ Applicable in combination with padlocks with a shackle thickness of 4-8 mm

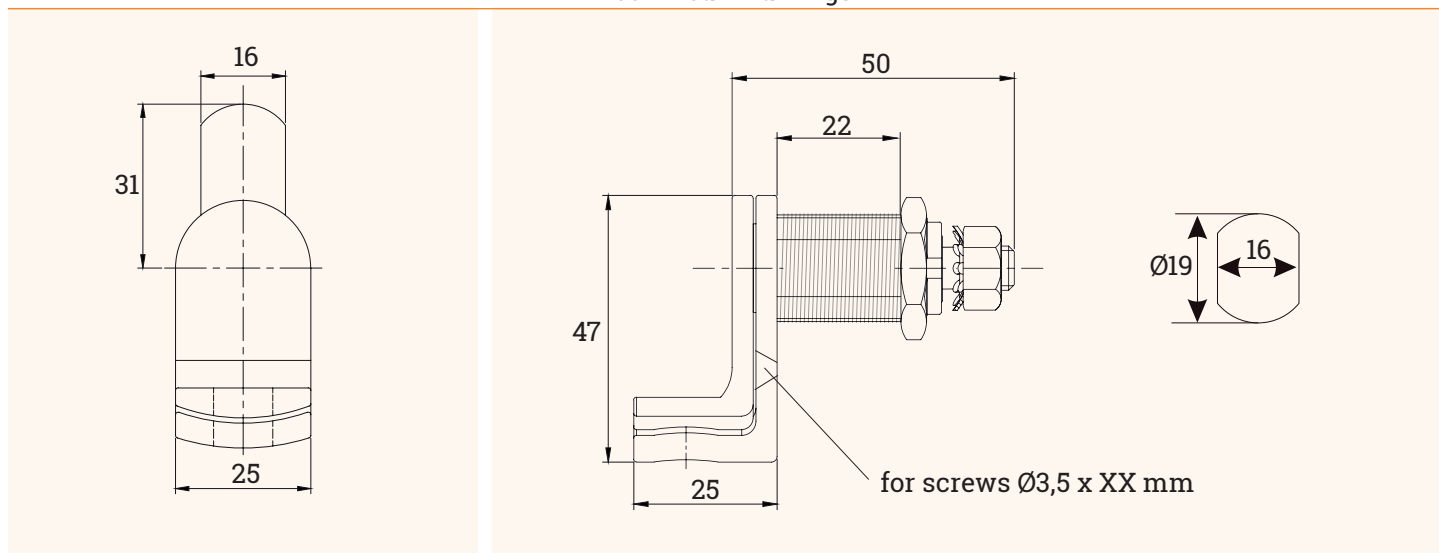


Details

The lever lock ROTOR THA is locked with a padlock. It is usable for left and right doors. The body of the lock is further secured against twisting from the front by an additional fixing screw (not included in scope of supply).



Technical Drawings



Article	Description	Colour	Item-No.
ROTOR THA	Rotor THA lever lock, f. wood/metal, chrome-plated, material thickness max. 22 mm usable for right/left, material: zamak, incl. bolt 35 mm, straight, packed in polybag	Silver	119 128574

