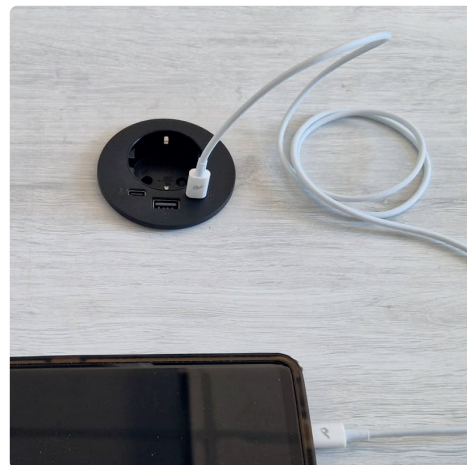
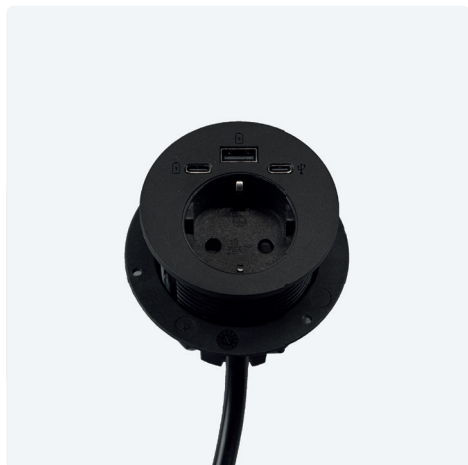


EXIT Spot A2C



Multifunctional socket with USB charging and data, Ø60 mm

- ✔ One power socket (DE - FR type as standard UK on demand)
- ✔ One USB A and one USB C for charging
- ✔ One USB C data extension, usable to connect to PCs or as additional charging unit, if connected to a separate transformer



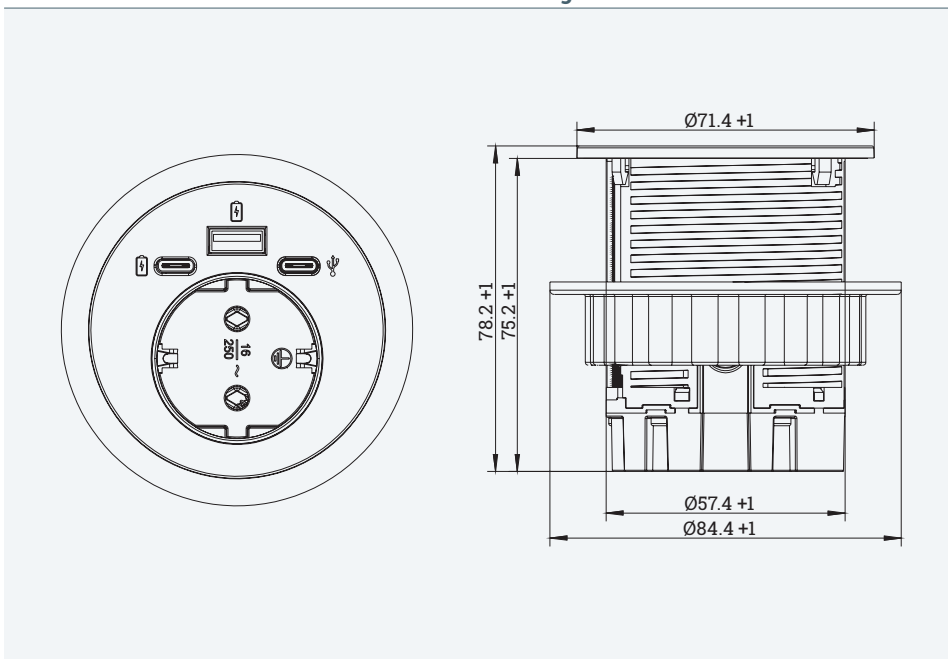
Details

Output power: USB A: 5V 3A, 9V 2.77A, 12V 2.08A
USB C: 5V 3A, 9V 2.77A, 12V 2.08A
USB A + C: 5V 3A

Cable length 1.5 m + DE / FR plug

Diameter 60 mm

Technical drawings



Article	Description	Country	Colour	Item No.
EXIT Spot A2C	Multifunctional socket with power cable 1.5m 1 socket 1 USB-A 1 USB-C (charging) 1 USB-C (data connection)	DE	Black	205 129869
			White	205 129876
		FR	Black	205 129855
			White	205 129862

