

1. TABLE FRAMES

with 3 memory
keys and related
accessories

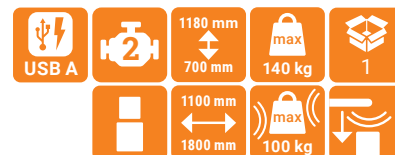


E-MORE 2M2S TQD

2-Segment electrical height adjustable desk frame



- ✓ 2 Motors / 2 segments
- ✓ Handset with LED
- ✓ 3 memory keys
- ✓ Anti collision function



5 years warranty



Details

Frame

Anti-Collision
 Dynamic load: 100 kg max
 Static load: 140 kg max
 Speed: 30 mm/s
 Sound level: <45 db
 Stroke: 700-1180 mm
 Frame width: 1100-1800 mm
 Table-top size min.: 600x1100 mm
 Table-top size max.: 1000x2000 mm

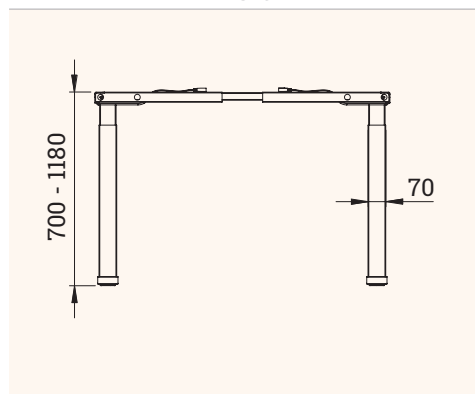
Electrical Components / Handset

Input Voltage: 100 – 240 V, built-in load limit switch
 Duty cycle: 10 % max. 2 min on, 18 min off
 Low energy consumption: automatic power off
 Display: digital
 Memory keys: 3
 USB charging function: bottom of handset 10 W

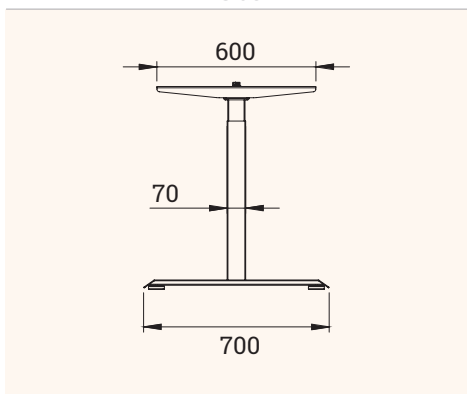


Technical Drawings

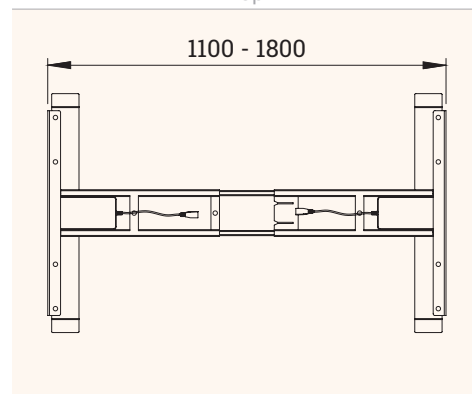
Front



Side



Top



Article	Description	Colour	Item No.
E-MORE 2M2S TQD	Electrical height adjustable desk frame, 2 motors, 2 segments, square lifting columns	similar White aluminium, RAL 9006	301 123303
E-MORE 2M2S TQD	Electrical height adjustable desk frame, 2 motors, 2 segments, square lifting columns	similar Traffic white, RAL 9016	301 123296
E-MORE 2M2S TQD	Electrical height adjustable desk frame, 2 motors, 2 segments, square lifting columns	similar Jet black, RAL 9005	301 123289

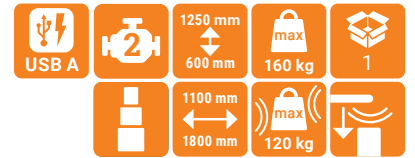


E-MORE 2M3S TQD

3-Segment electrical height adjustable desk frame



- ✓ 2 Motors / 3 segments
- ✓ Handset with LED
- ✓ 3 memory keys
- ✓ Anti collision function



5 years warranty



Details

Frame

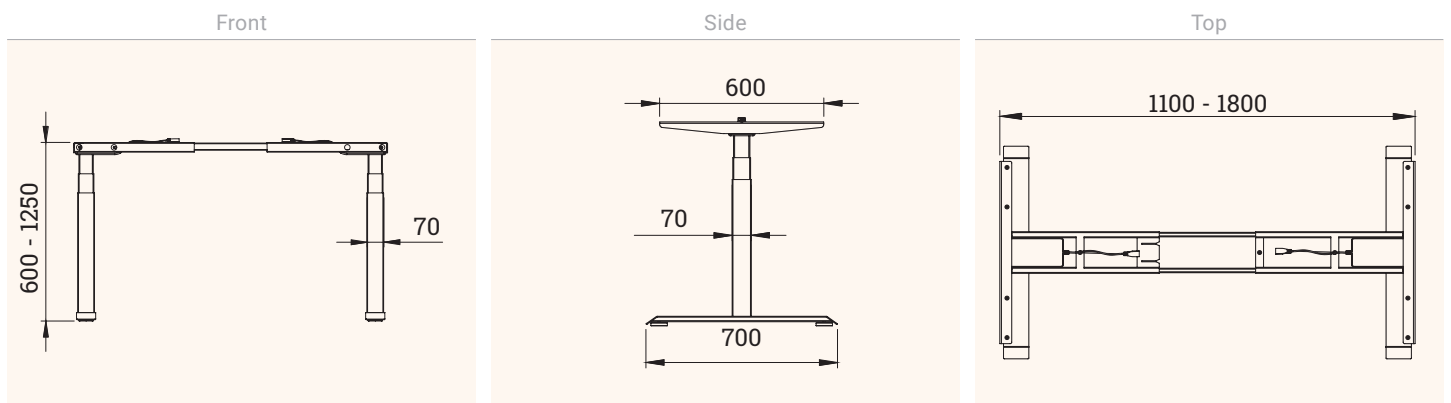
Anti-Collision	
Dynamic load:	120 kg max
Static load:	160 kg max
Speed:	38 mm/s
Sound level:	<45 db
Stroke:	600-1250 mm
Frame width:	1100-1800 mm
Table-top size min.:	600x1100 mm
Table-top size max.:	1000x2000 mm

Electrical Components / Handset

Input Voltage:	100 – 240 V
	built-in load limit switch
Duty cycle:	10 % max. 2 min on, 18 min off
Low energy consumpt.:	automatic power off
Display:	digital
Memory keys:	3
USB charging function:	bottom of handset 10 W



Technical Drawings



Article	Description	Colour	Item No.
E-MORE 2M3S TQD	Electrical height adjustable desk frame, 2 motors, 3 segments, square lifting columns	similar White aluminium, RAL 9006	301 123268
E-MORE 2M3S TQD	Electrical height adjustable desk frame, 2 motors, 3 segments, square lifting columns	similar Traffic white, RAL 9016	301 123282
E-MORE 2M3S TQD	Electrical height adjustable desk frame, 2 motors, 3 segments, square lifting columns	similar Jet black, RAL 9005	301 123275



E-CORNER Flex TQD

Electrical height adjustable desk frame



- ✓ 3 Motors / 3 segments
- ✓ Handset with LED
- ✓ 3 memory keys
- ✓ Anti collision function
- ✓ Table-frame is adjustable from 90° to 180°



5 years warranty



Details

Frame

Anti-Collision	
Dynamic load:	160 kg max
Static load:	180 kg max
Speed:	30 mm/s
Sound level:	<45 db
Stroke:	600-1250 mm
Frame width:	1100-1800 mm
Frame width on 180°:	2200-3700 mm
Table top size min.:	<ol style="list-style-type: none"> 600x1500 mm 600x1400 mm 600x2300 mm
Table top size max.:	<ol style="list-style-type: none"> 1000x2200 mm 1000x2100 mm 1000x4000 mm

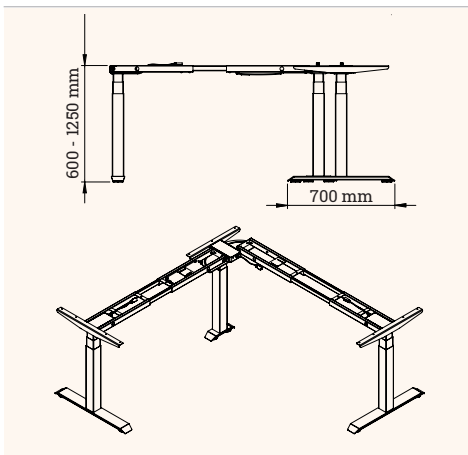
Electrical Components / Handset

Input Voltage:	220 – 240 V
	built-in load limit switch
Duty cycle:	10 % max. 2 min on, 18 min off
Low energy consumpt.:	automatic power off
Display:	digital
Memory keys:	3
USB charging function:	bottom of handset
	10 W

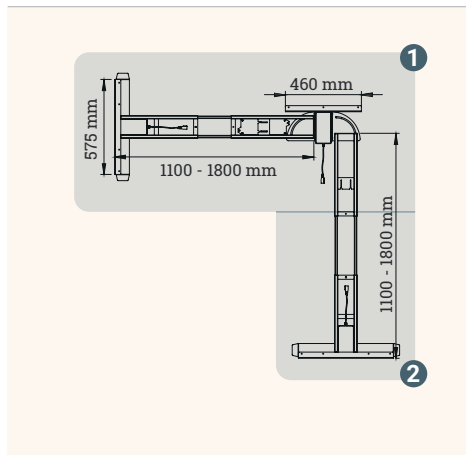


Technical Drawings

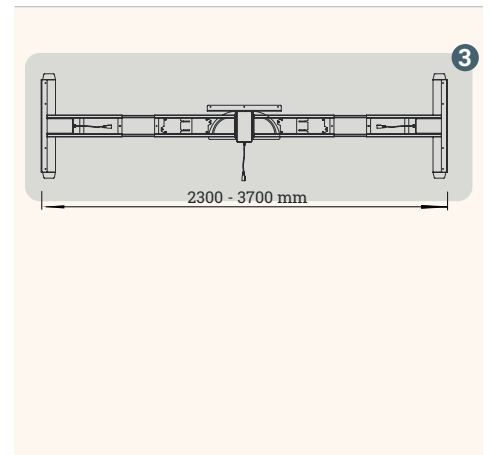
Side / 3D View



180°



90°



Article	Description	Colour	Item No.
E-CORNER Flex TQD	Electrical height adjustable desk frame, 3 motors, 3 segments, #4888.111	similar White aluminium, RAL 9006	301 123464
E-CORNER Flex TQD	Electrical height adjustable desk frame, 3 motors, 3 segments, #4888.112	similar Traffic white, RAL 9016	301 123478
E-CORNER Flex TQD	Electrical height adjustable desk frame, 3 motors, 3 segments, #4888.113	similar Jet black, RAL 9005	301 123471



E-MORE Plus L S

Accessory: Beam for frame extension



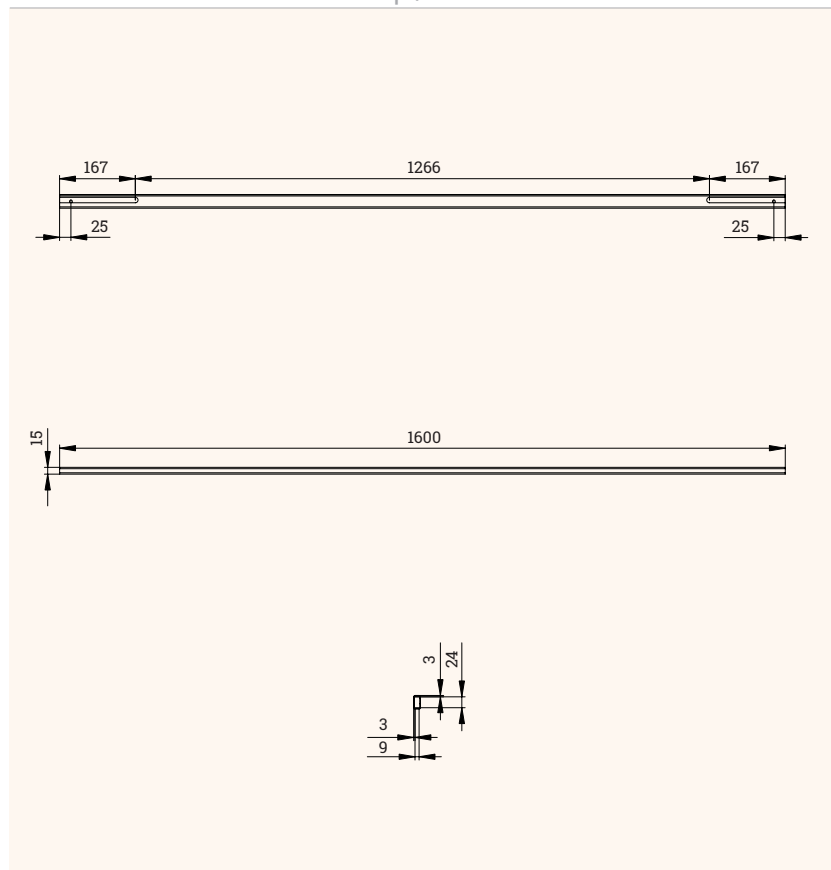
- ✔ Optional accessory for our models E-MORE 2M2S/3S TQD and E-CORNER Flex TQD
- ✔ Allows tabletop size to be extended to a width of 1800-2400mm
- ✔ Enables retrofitting - a subsequent extension of the basic product
- ✔ Ideal for use in large workplaces



Technical Drawings

Top / Side

Alternative View



Article	Description	Colour	Item No.
E-MORE Plus L S	2x beam extension for table sizes with a width from 1800-2400mm	similar Traffic white, RAL 9016	301 124955
		similar Jet black, RAL 9005	301 124948
		similar White aluminium, RAL 9006	301 124962



E-MORE Plus CORNER eco S



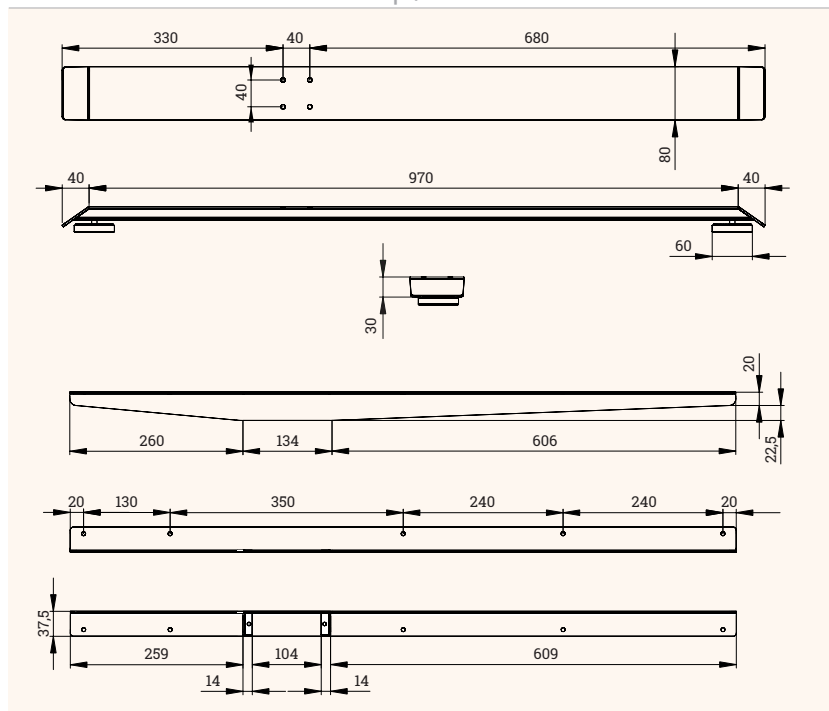
Side extension kit: Side bracket and table foot for frame extension

- ✔ Optional accessory for our models E-MORE 2M2S/3S TQD and E-CORNER Flex TQD
- ✔ Enables curved table tops by extending the frame left/right
- ✔ Enables retrofitting - a subsequent extension of the basic product
- ✔ Ideal for use with curved table tops

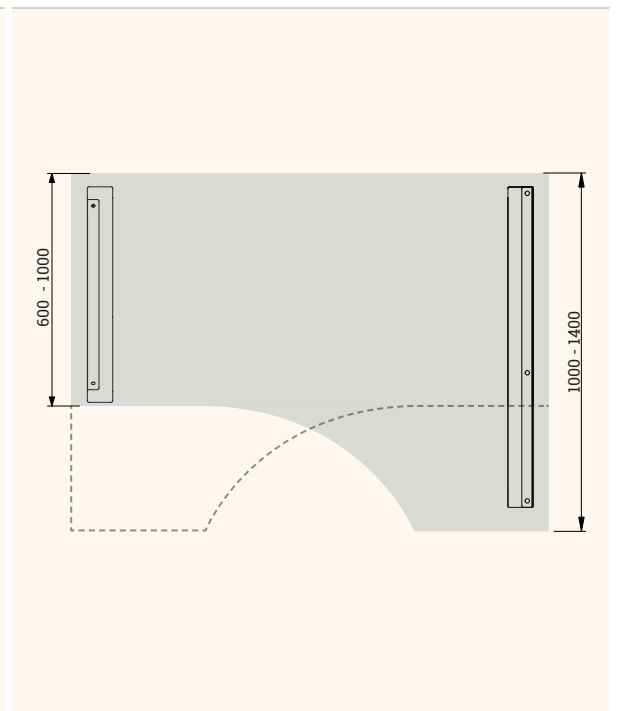


Technical Drawings

Top / Side



Alternative View



Article	Description	Colour	Item No.
E-MORE Plus CORNER eco S, right	Side extension set for the use of curved table tops, consisting of 1 tablefoot (1000 mm) and 1 side bracket, right (1000 mm)	similar Traffic white, RAL 9016	302 127678
		similar Jet black, RAL 9005	302 127685
		similar White aluminium, RAL 9006	302 127671
E-MORE Plus CORNER eco S, left	Side extension set for the use of curved table tops, consisting of 1 tablefoot (1000 mm) and 1 side bracket, left (1000 mm)	similar Traffic white, RAL 9016	302 127699
		similar Jet black, RAL 9005	302 127706
		similar White aluminium, RAL 9006	302 127692



E-MORE Plus CQD S

Conversion kit: table feet and side brackets for a frame conversion

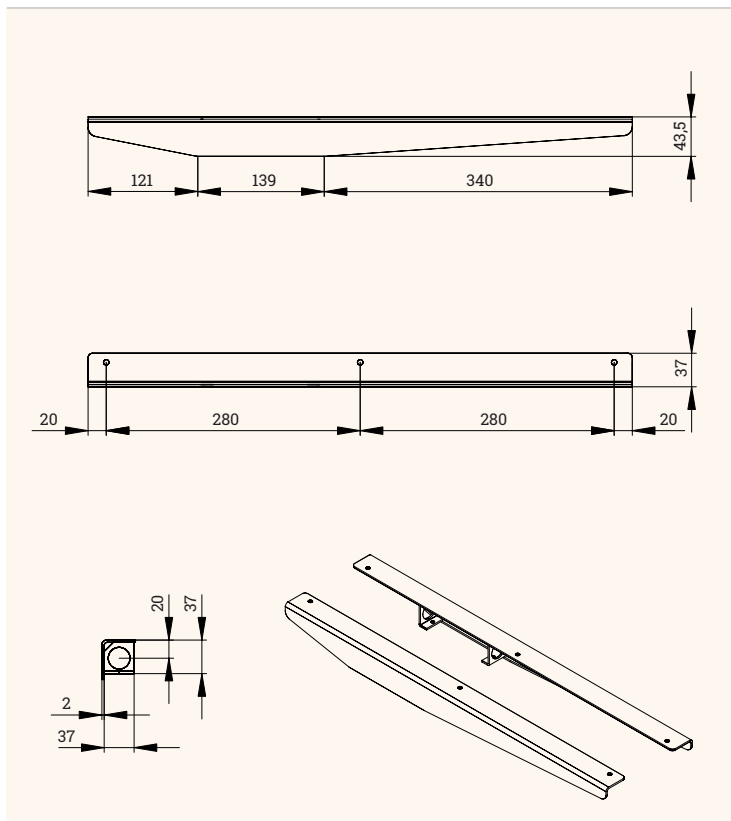


- ✓ Optional accessory for our models E-MORE 2M2S/3S TQD and E-CORNER Flex TQD
- ✓ Conversion set to convert existing table models with T-frame into C-models
- ✓ Enables retrofitting - a subsequent extension of the basic product
- ✓ Well suited to optimize a frame for special applications

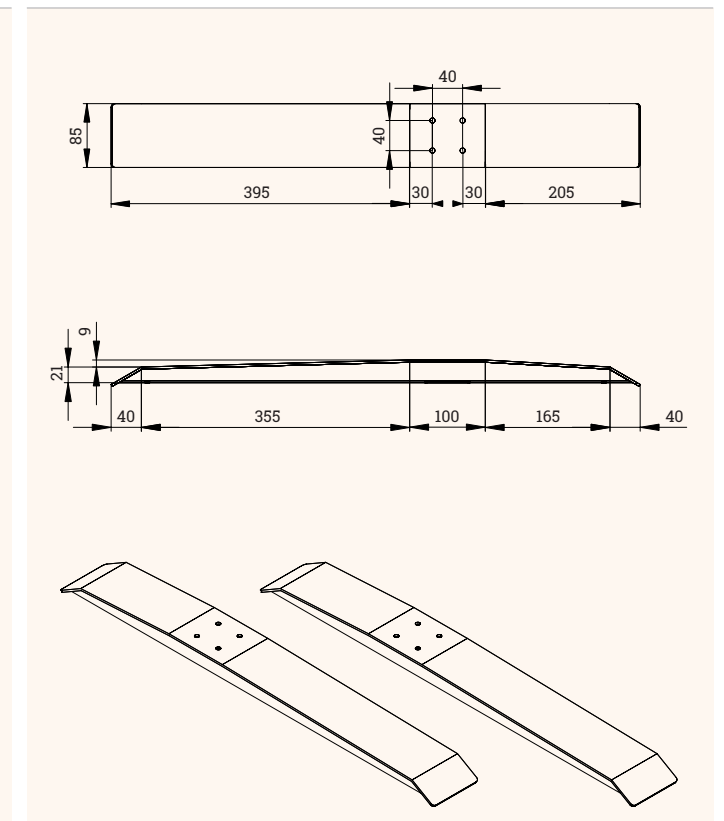


Technical Drawings

Bracket



Foot



Article	Description	Colour	Item No.
E-MORE Plus CQD S	Conversion kit consisting of 2 table feet and 2 side brackets (type C)	similar Traffic white, RAL 9016	302 127475
		similar Jet black, RAL 9005	302 127468
		similar White aluminium, RAL 9006	302 127461



BOXIT E-MORE S

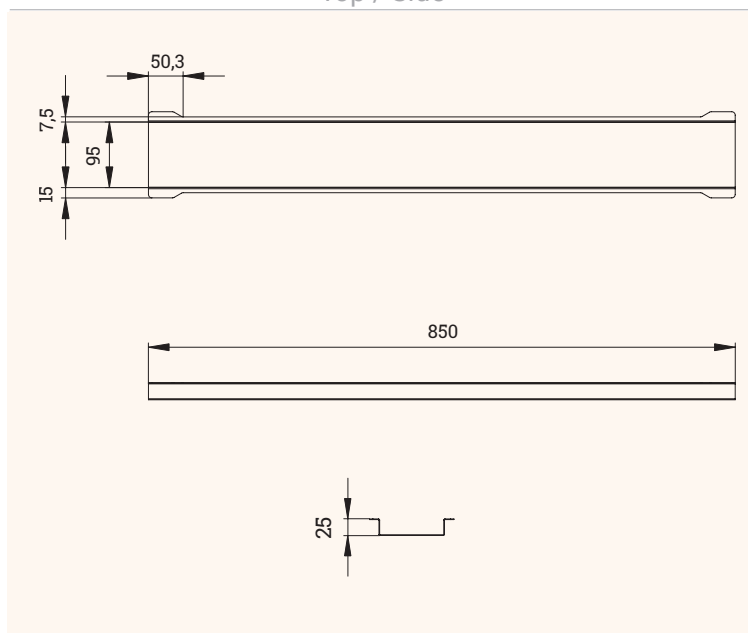
The elegant cable tray, a perfect complement

- ✔ Optional accessory for our models E-MORE 2M2S TQD, 2M3S TQD and E-CORNER Flex
- ✔ Fits directly on the beams, no space wasted
- ✔ In 3 different colours available

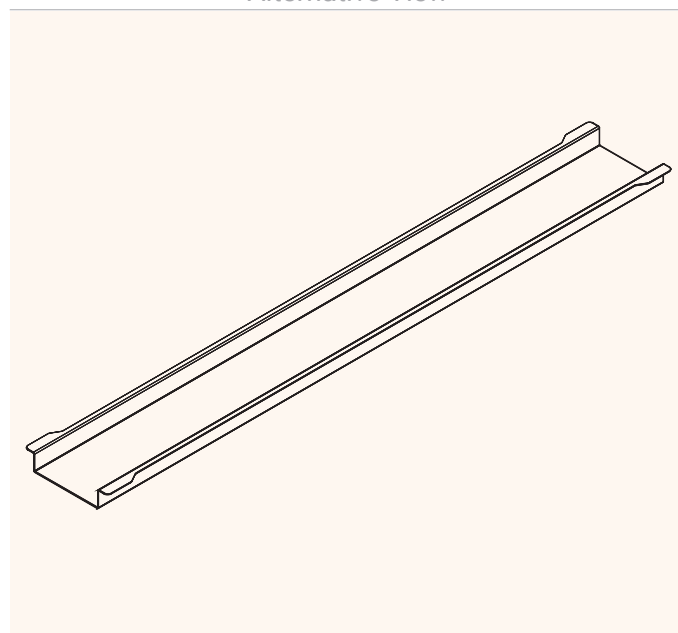


Technical Drawings

Top / Side



Alternative View



Article	Description	Colour	Item No.
BOXIT E-MORE S	Cable tray for table-frame, steel	White aluminium, RAL 9006	203 124794
		Traffic white, RAL 9016	203 124780
		Jet black, RAL 9005	203 124787