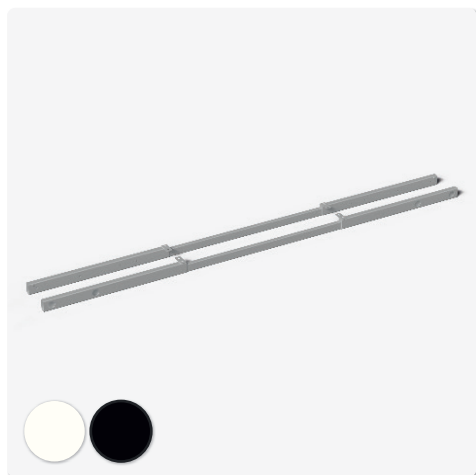


E-MORE Plus L W

Accessory: Beam for frame extension



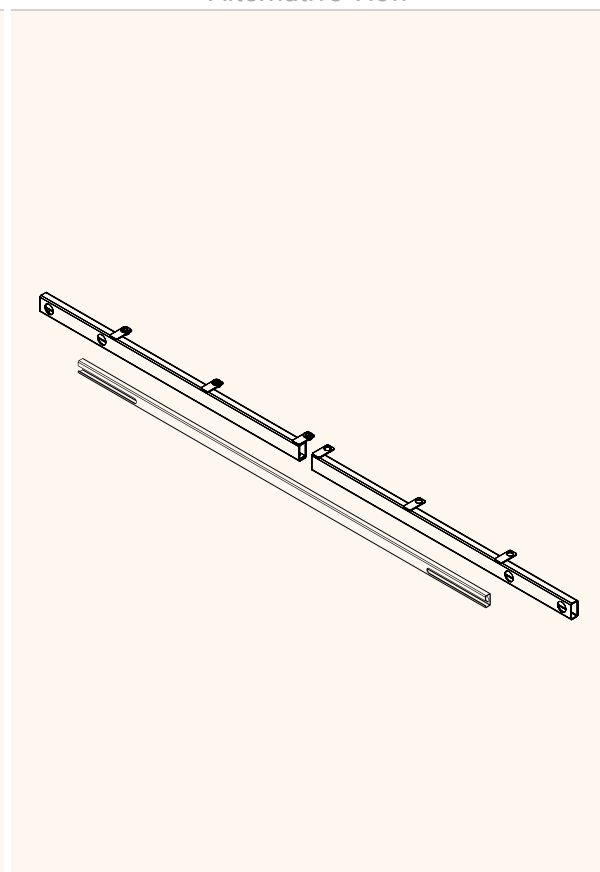
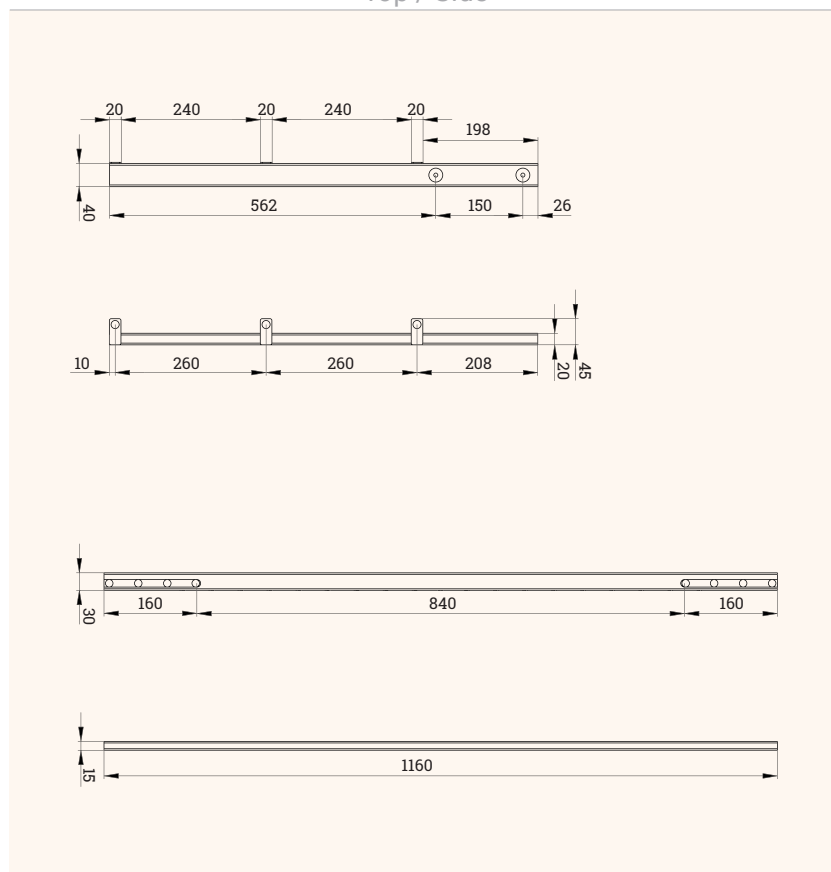
- ✓ Optional accessory for our models E-MORE 2M2S, 2M3S and E-CORNER 90
- ✓ Allows tabletop size to be extended to a width of 1800-2400mm
- ✓ Enables retrofitting - a subsequent extension of the basic product
- ✓ Ideal for use in large workplaces
- ✓ 2x telescopic beam consisting of 3 elements each



Technical Drawings

Top / Side

Alternative View



Article	Description	Colour	Item No.
E-MORE Plus L W	2x 3-part beam extension for table sizes with a width from 1800-2400mm	similar Pure white, RAL 9010	301 124367
		similar Traffic black, RAL 9017	301 124374
		similar White aluminium, RAL 9006	301 124360



E-MORE Plus L S

Accessory: Beam for frame extension



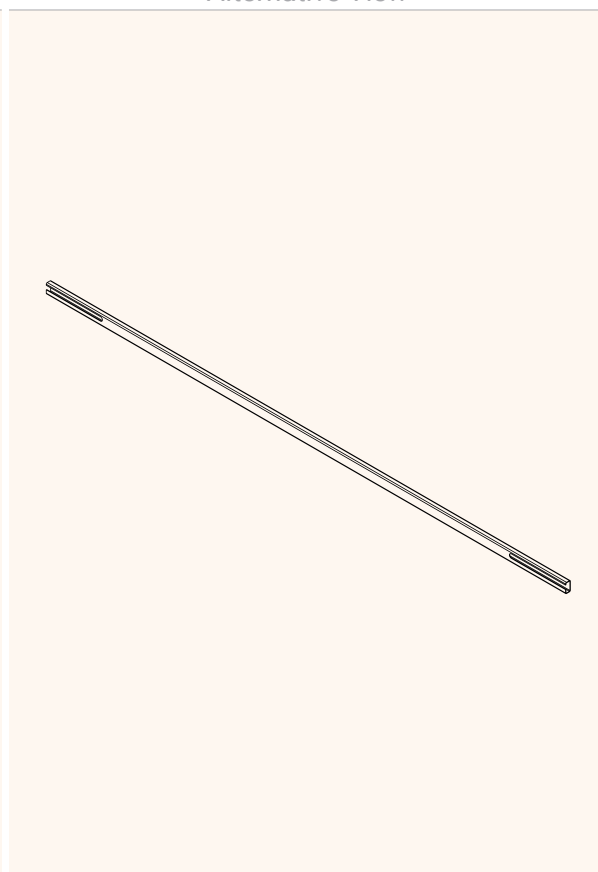
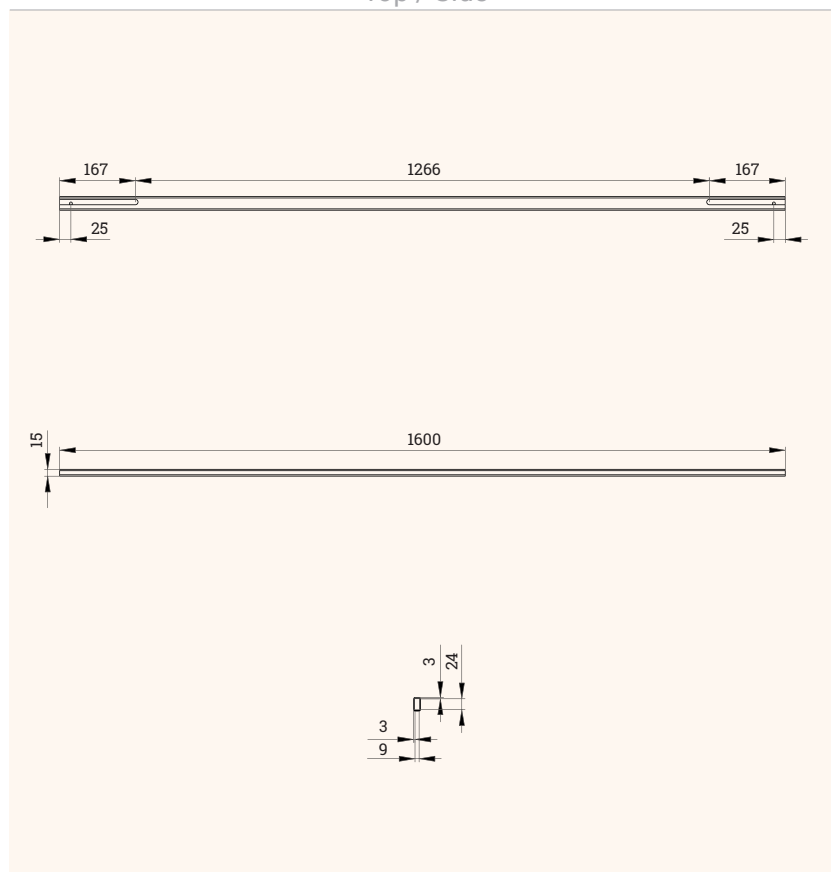
- ✔ Optional accessory for our models E-MORE 2M2S/3S TQD and E-CORNER Flex TQD
- ✔ Allows tabletop size to be extended to a width of 1800-2400mm
- ✔ Enables retrofitting - a subsequent extension of the basic product
- ✔ Ideal for use in large workplaces



Technical Drawings

Top / Side

Alternative View



Article	Description	Colour	Item No.
E-MORE Plus L S	2x beam extension for table sizes with a width from 1800-2400mm	similar Traffic white, RAL 9016	301 124955
		similar Jet black, RAL 9005	301 124948
		similar White aluminium, RAL 9006	301 124962



E-MORE Plus CORNER eco W

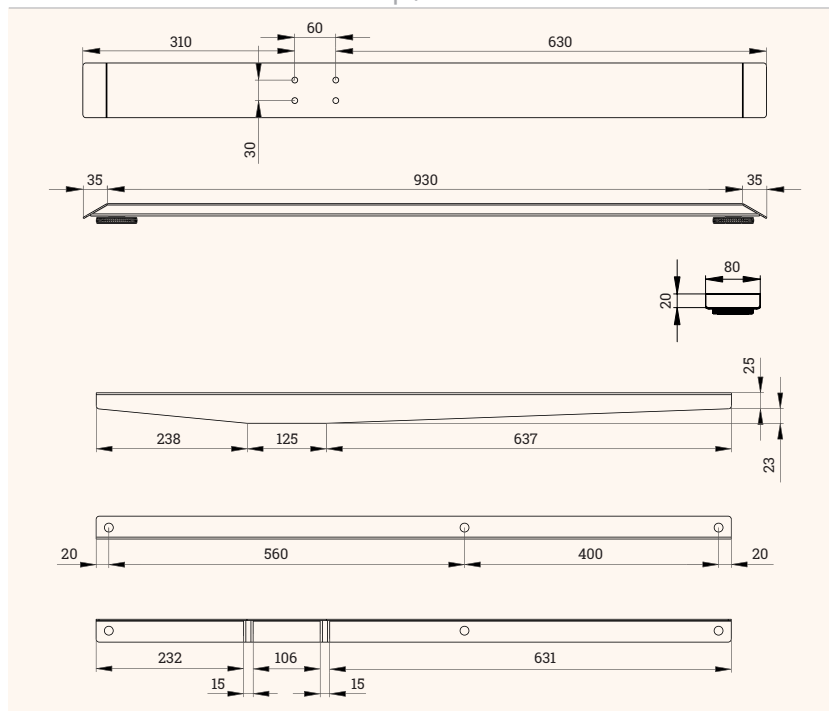
Side extension kit: Side bracket and table foot for frame extension

- ✔ Optional accessory for our models E-MORE 2M2S, 2M3S and E-CORNER 90
- ✔ Enables curved table tops by extending the frame left/right
- ✔ Enables retrofitting - a subsequent extension of the basic product
- ✔ Ideal for use with curved table tops

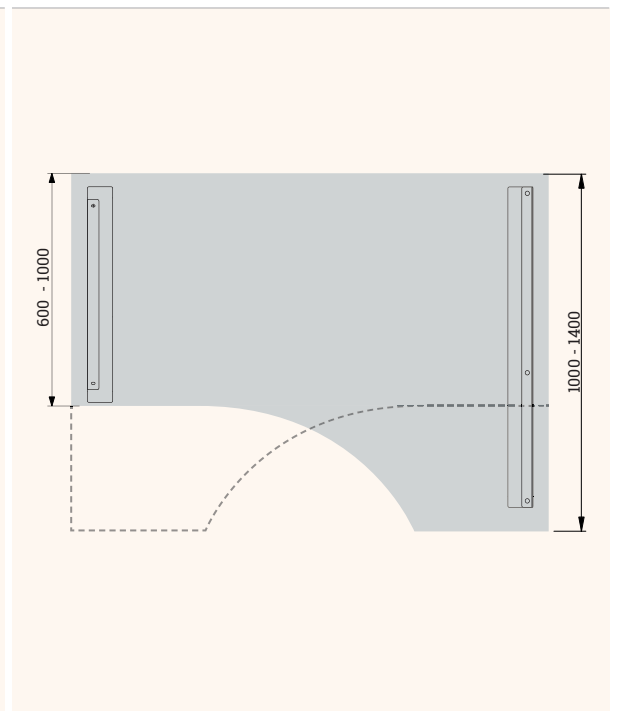


Technical Drawings

Top / Side



Alternative View



Article	Description	Colour	Item No.
E-MORE Plus CORNER eco W, right	Side extension set for the use of curved table tops, consisting of 1 table-foot (1000 mm) and 1 side bracket, right (1000 mm)	similar Pure white, RAL 9010	302 127720
		similar Traffic black, RAL 9017	302 127727
		similar White aluminium, RAL 9006	302 127713
E-MORE Plus CORNER eco W, left	Side extension set for the use of curved table tops, consisting of 1 table-foot (1000 mm) and 1 side bracket, left (1000 mm)	similar Pure white, RAL 9016	302 127741
		similar Traffic black, RAL 9005	302 127748
		similar White aluminium, RAL 9006	302 127734

E-MORE Plus CORNER eco S



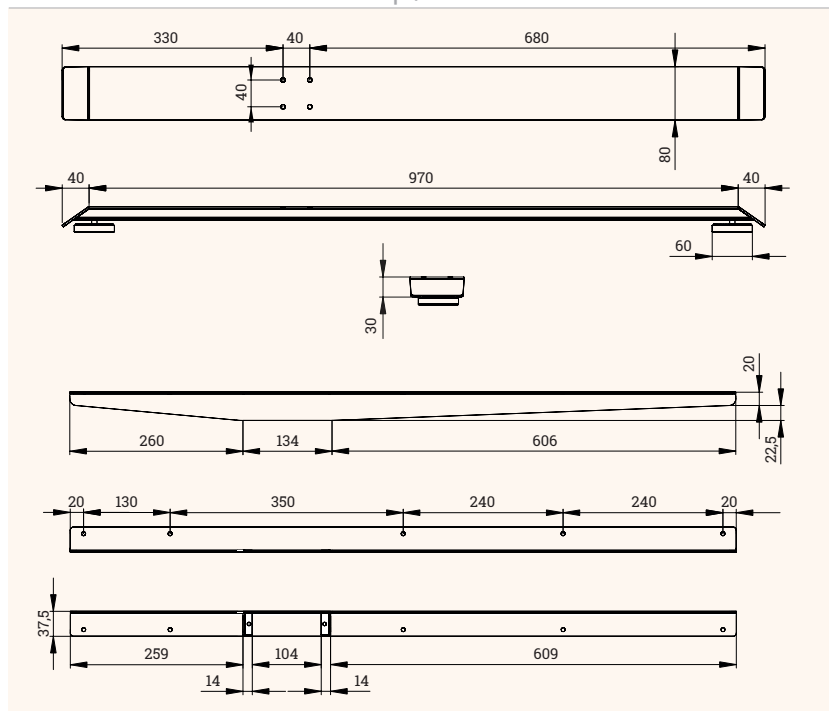
Side extension kit: Side bracket and table foot for frame extension

- ✔ Optional accessory for our models E-MORE 2M2S/3S TQD and E-CORNER Flex TQD
- ✔ Enables curved table tops by extending the frame left/right
- ✔ Enables retrofitting - a subsequent extension of the basic product
- ✔ Ideal for use with curved table tops

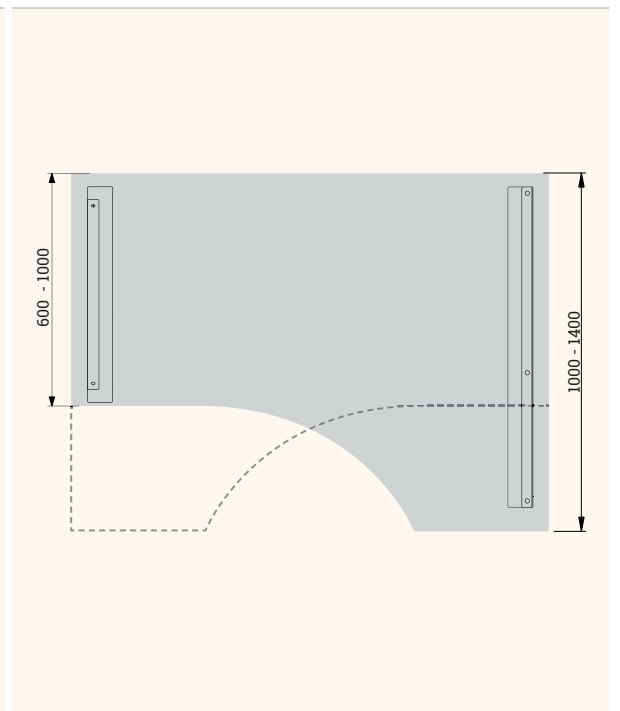


Technical Drawings

Top / Side



Alternative View



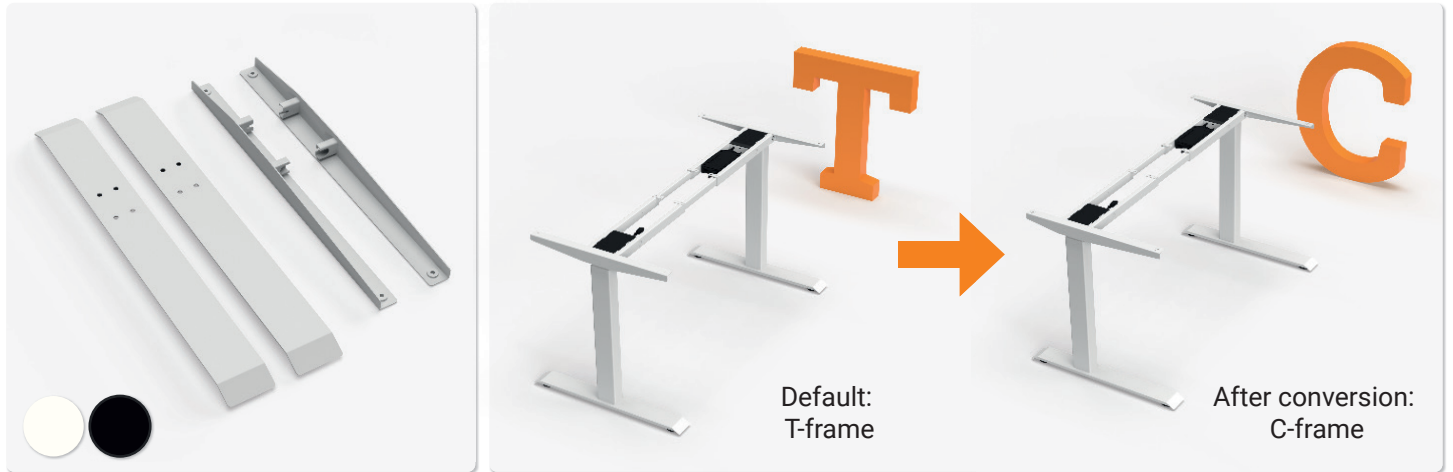
Article	Description	Colour	Item No.
E-MORE Plus CORNER eco S, right	Side extension set for the use of curved table tops, consisting of 1 tablefoot (1000 mm) and 1 side bracket, right (1000 mm)	similar Traffic white, RAL 9016	302 127678
		similar Jet black, RAL 9005	302 127685
		similar White aluminium, RAL 9006	302 127671
E-MORE Plus CORNER eco S, left	Side extension set for the use of curved table tops, consisting of 1 tablefoot (1000 mm) and 1 side bracket, left (1000 mm)	similar Traffic white, RAL 9016	302 127699
		similar Jet black, RAL 9005	302 127706
		similar das geht auf jeden FaööWhite aluminium, RAL 9006	302 127692



E-MORE Plus CRE W

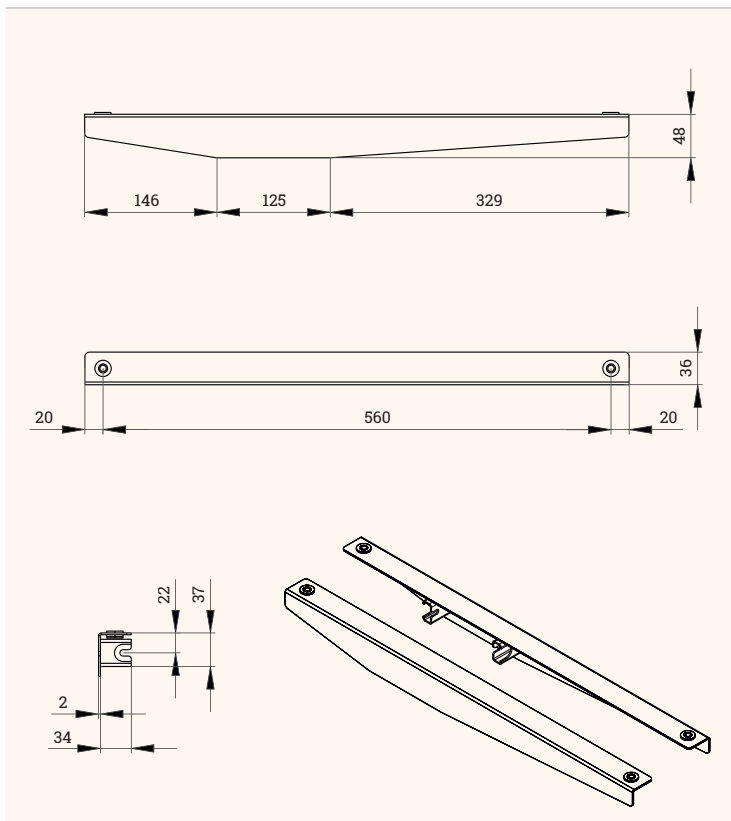
Conversion kit: table feet and side brackets for a frame conversion

- ✔ Optional accessory for our models E-MORE 2M2S, 2M3S and E-CORNER 90
- ✔ Conversion set to convert existing table models with T-frame into C-models
- ✔ Enables retrofitting - a subsequent extension of the basic product
- ✔ Well suited to optimize a frame for special applications

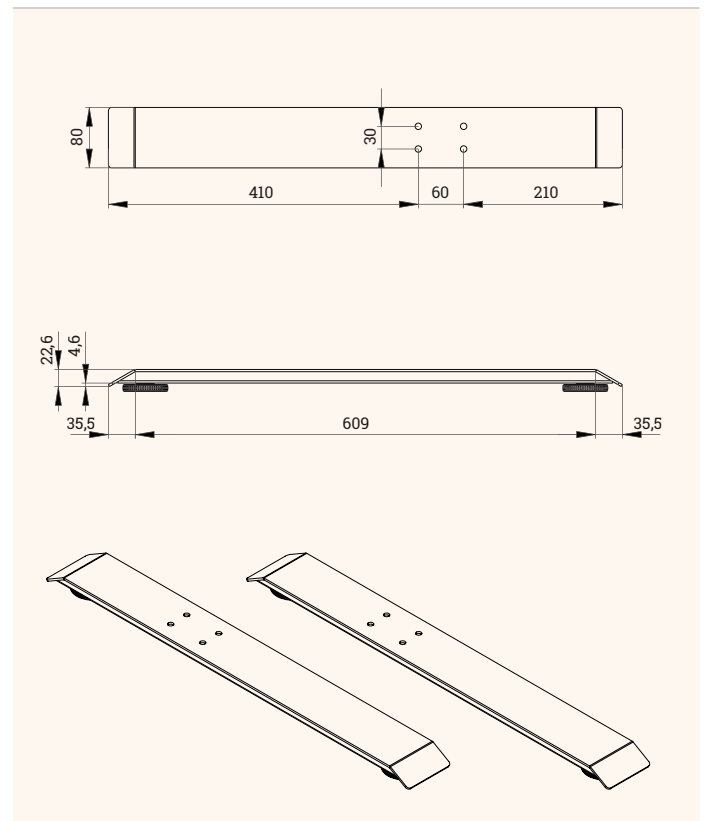


Technical Drawings

Bracket



Foot



Article	Description	Colour	Item No.
E-MORE Plus CRE W	Conversion kit consisting of 2 table feet and 2 side brackets (type C)	similar Pure white, RAL 9010	302 127496
		similar Traffic black, RAL 9017	302 127489
		similar White aluminium, RAL 9006	302 127482

E-MORE Plus CQD S

Conversion kit: table feet and side brackets for a frame conversion

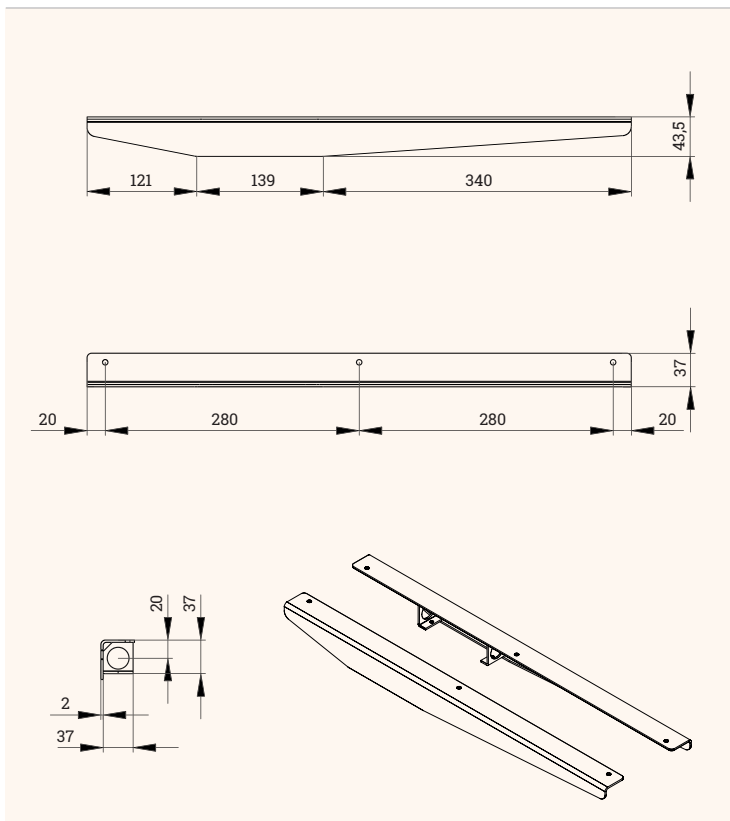


- ✓ Optional accessory for our models E-MORE 2M2S/3S TQD and E-CORNER Flex TQD
- ✓ Conversion set to convert existing table models with T-frame into C-models
- ✓ Enables retrofitting - a subsequent extension of the basic product
- ✓ Well suited to optimize a frame for special applications

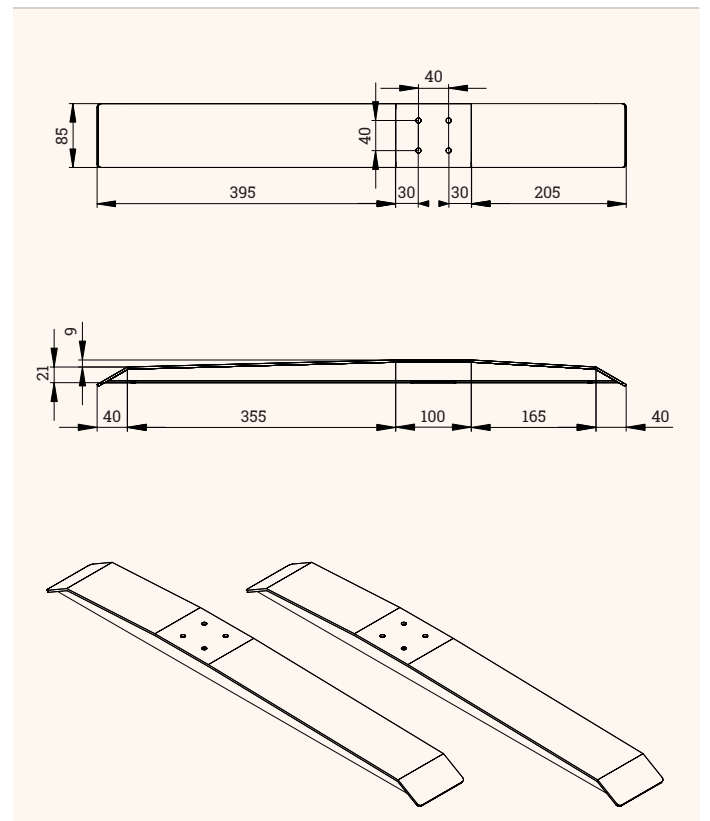


Technical Drawings

Bracket



Foot



Article	Description	Colour	Item No.
E-MORE Plus CQD S	Conversion kit consisting of 2 table feet and 2 side brackets (type C)	similar Traffic white, RAL 9016	302 127475
		similar Jet black, RAL 9005	302 127468
		similar White aluminium, RAL 9006	302 127461



E-CORNER Plus 90 W



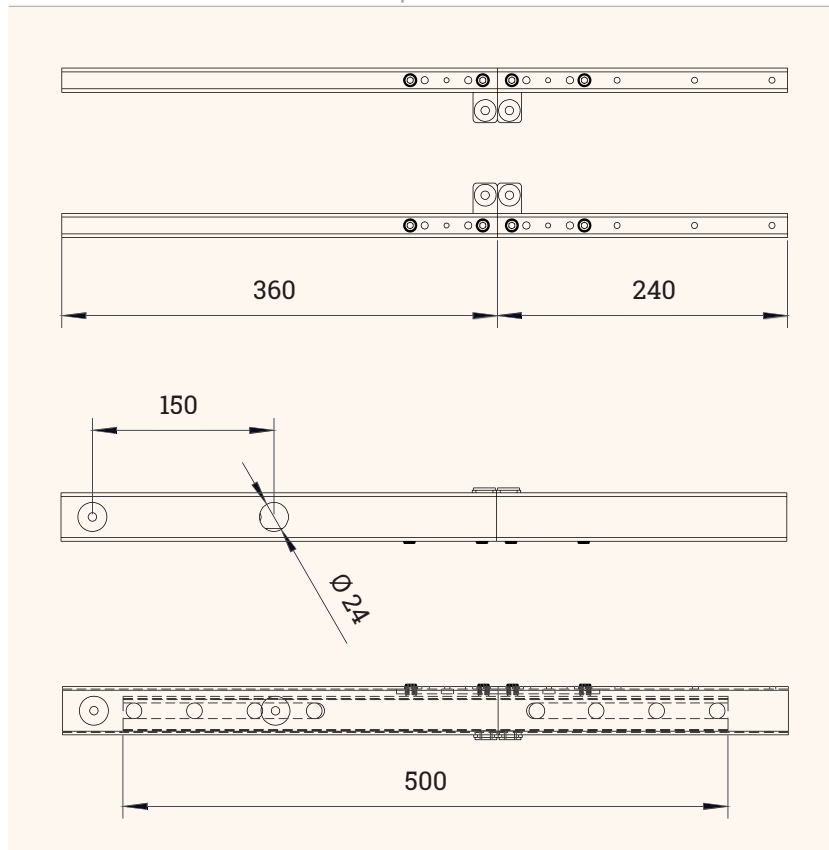
Side abridgment kit: beam for side shortening

- ✔ Optional accessory for the E-CORNER 90 model
- ✔ Allows side beams to be reduced to a width of 600-1000 mm
- ✔ Enables retrofitting - a subsequent extension of the basic product
- ✔ Ideal for using the E-CORNER 90 in small areas

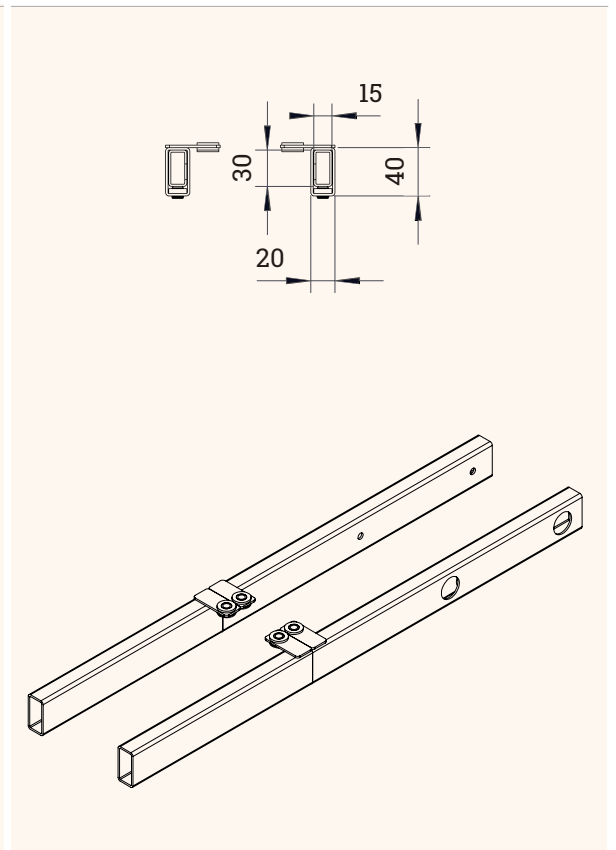


Technical Drawings

Top/Side



Alternative View



Article	Description	Colour	Item No.
E-CORNER Plus 90 W	Side abridgment set for shortening the beam of the E-CORNER 90, consisting of 2 beams, short (600 - 1000 mm)	sim. Pure white, RAL 9010	302 127853
		sim. Traffic black, RAL 9017	302 127839
		sim. White aluminium, RAL 9006	302 127846



BOXIT E-MORE W

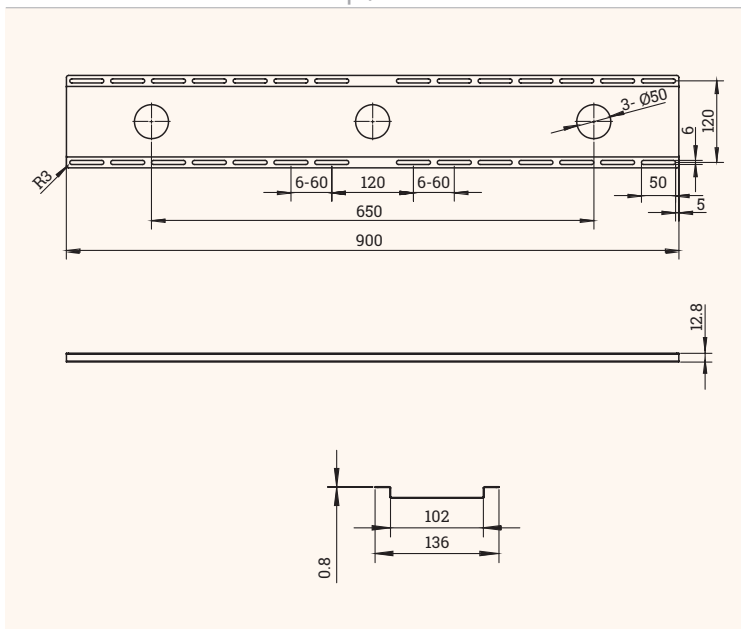
The elegant cable tray, a perfect complement

- ✔ Optional accessory for our models E-MORE 2M2S, 2M3S and E-CORNER 90
- ✔ Fits directly on the beams, no space wasted
- ✔ In 3 different colours available

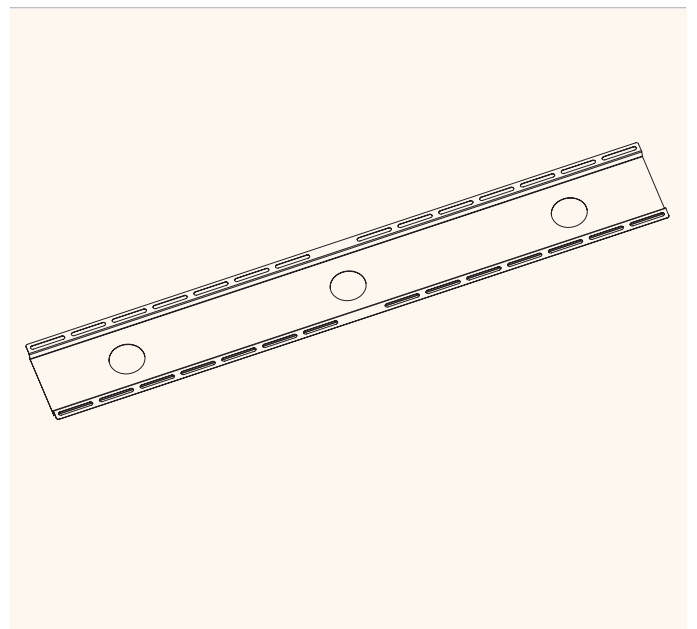


Technical Drawings

Top / Side



Alternative View

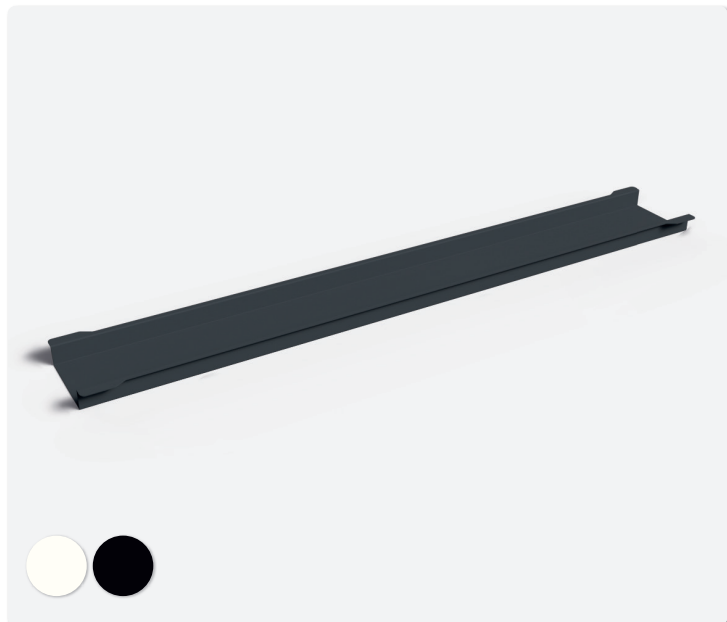


Article	Description	Colour	Item No.
BOXIT E-MORE W	Cable tray for table-frame, steel	similar White aluminium, RAL 9006	203 108904
		similar Pure white, RAL 9010	203 108911
		similar Traffic black, RAL 9017	203 108918

BOXIT E-MORE S

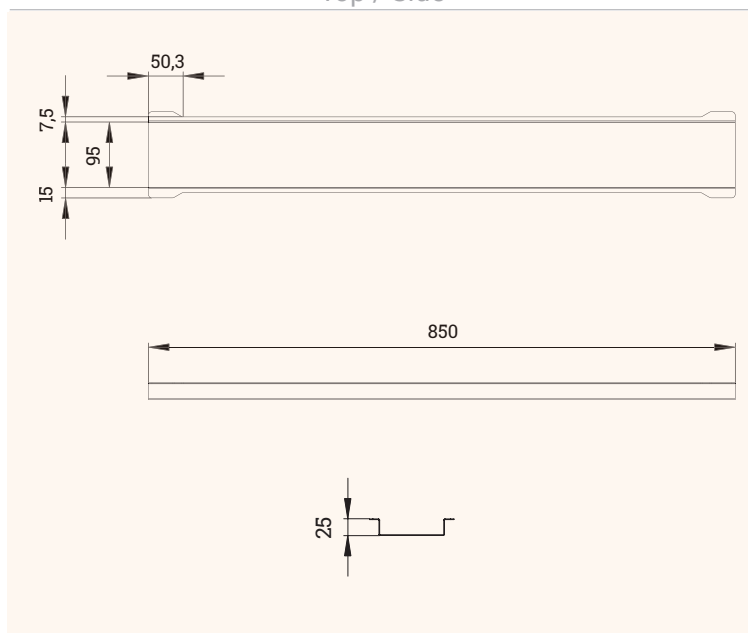
The elegant cable tray, a perfect complement

- ✔ Optional accessory for our models E-MORE 2M2S TQD, 2M3S TQD and E-CORNER Flex
- ✔ Fits directly on the beams, no space wasted
- ✔ In 3 different colours available

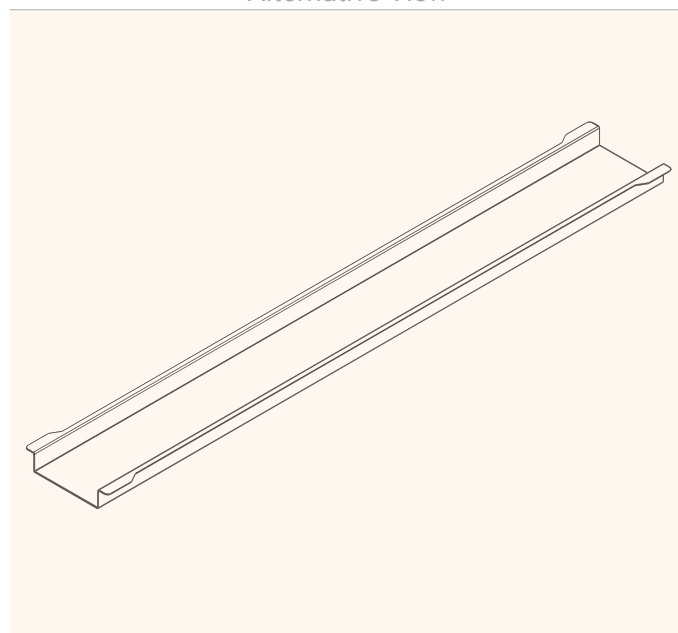


Technical Drawings

Top / Side



Alternative View



Article	Description	Colour	Item No.
BOXIT E-MORE S	Cable tray for table-frame, steel	similar White aluminium, RAL 9006	203 124794
		similar Traffic white, RAL 9016	203 124780
		similar Jet black, RAL 9005	203 124787

E-MORE Accessories Overview








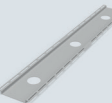

All accessories and the corresponding table models at one glance

E-MORE table models can be personalized with the **E-MORE Plus** accessories. Depending on the application, the table frame can be expanded or converted. As a result, tabletop sizes outside the usual dimensions are achievable.

In addition, the **BOXIT** elements offer a solution for cable management at the table.

All accessories are available in white, silver and black.



Article	E-MORE 2M2S	E-MORE 2M2S TQD	E-MORE 2M3S	E-MORE 2M3S TQD	E-CORNER 90	E-CORNER Flex TQD
 E-MORE Plus L W	✓	-	✓	-	✓	-
 E-MORE Plus L S	-	✓	-	✓	-	✓
 E-MORE Plus CORNER eco W	✓	-	✓	-	✓	-
 E-MORE Plus CORNER eco S	-	✓	-	✓	-	✓
 E-MORE Plus CRE W	✓	-	✓	-	✓	-
 E-MORE Plus CQD S	-	✓	-	✓	-	✓
 E-CORNER Plus 90 W	-	-	-	-	✓	-
 BOXIT E-MORE W	✓	-	✓	-	✓	-
 BOXIT E-MORE S	-	✓	-	✓	-	✓