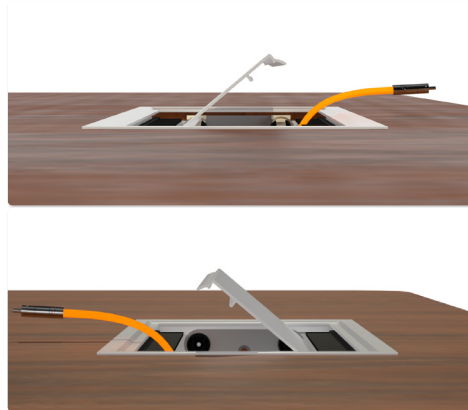
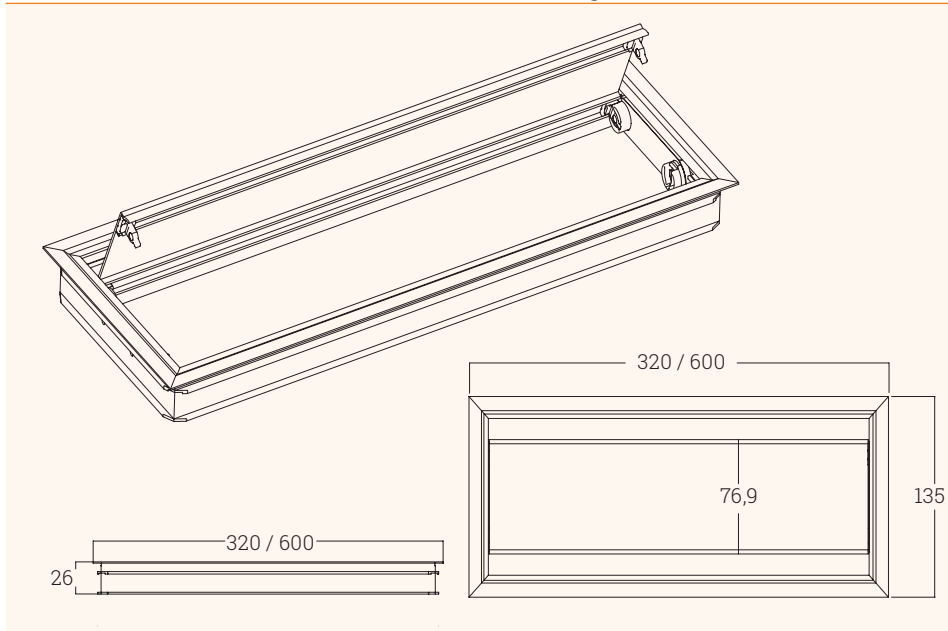


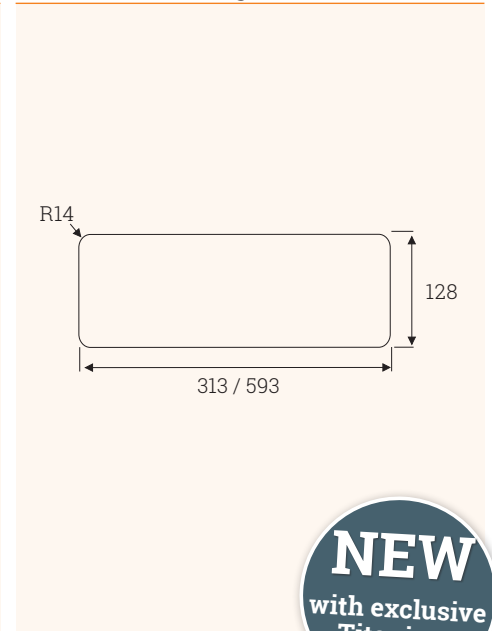
- ✔ with straight flap cover and soft-close mechanism
- ✔ entry from both sides
- ✔ available with 4 different finishes
- ✔ black brush seal



### Technical Drawing



### Drilling Pattern



Article	Description	Measurements			Milling dimensions		Material	Colour	Item No.
		Depth	Width	Height	Depth	Width			
EXIT Duo plus	Cable outlet with hinged Cover, opening on both sides soft-close mechanism, black brush seal	135	320	26	128	313	Aluminium	Titanium	201 106741
								Alu anodised	201 104851
								White	201 104858
								Black	201 104865
		135	600	26	128	593	Aluminium	Titanium	201 106748
								Alu anodised	201 104879
								White	201 104872
								Black	201 104886