






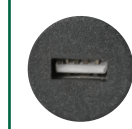


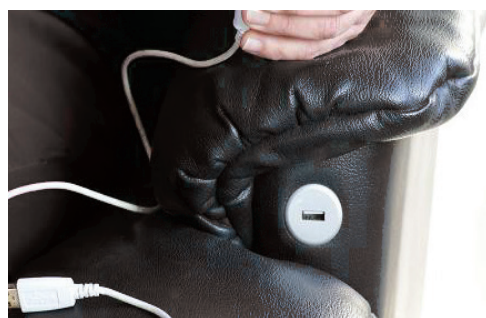
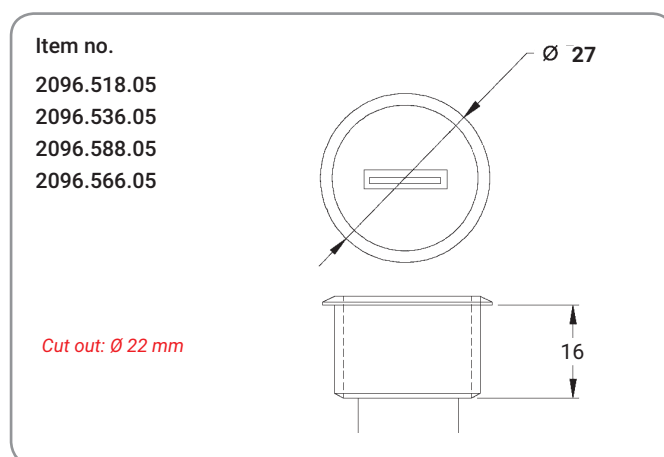
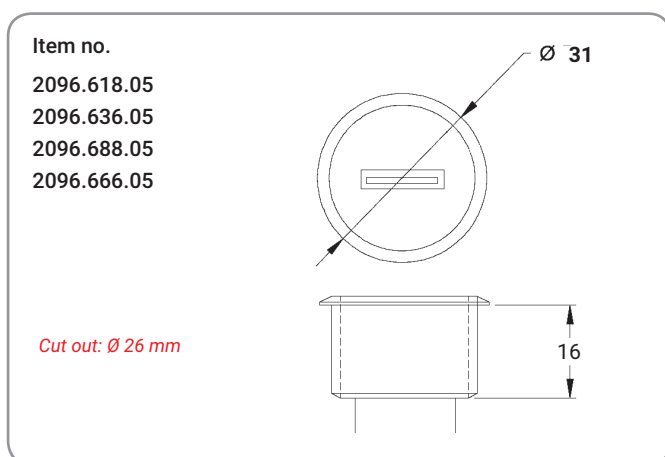
USB socket extension, 1 port

- Charge / Sync / Data transfer
- Ideal for contract furniture
- Suitable for thin boards
- Designed to be used flexibly



Item no.	2096.618.05	2096.636.05	2096.688.05	2096.666.05	2096.518.05	2096.536.05	2096.588.05	2096.566.05
Colour	White RAL 9003	Chrome polished	Aluminum RAL 9006	Black RAL 9011	White RAL 9003	Chrome polished	Aluminum RAL 9006	Black RAL 9011
								
Dimensions	Ø 31 mm, cut out: 26 mm, height: 16 mm				Ø 27 mm, cut out: 22 mm, height: 16 mm			
Technical data	USB 2.0 cable A female – A male							
Material	Aluminum, ABS							
Scope of delivery	USB socket extension with cable 0.5 m*, 1 St.							
Packaging unit	Single packed in a cardboard box							
Complementary items	USB extension cable, black, length 50 cm 2096.505 / 100 cm 2096.510 / 150 cm 2096.515 / 200 cm 2096.520 / 250 cm 2096.525 ; USB power supply, black 2096.501							

* Other lengths (1.0 / 1.5 / 2.0 / 2.5 m) available on demand subject to MOQ



Perfect integration of USB into furniture for charging devices (cellular telephones, tablets, etc.) or to use USB led lights. Ideal for contract furniture in hotel rooms, airports, libraries ...